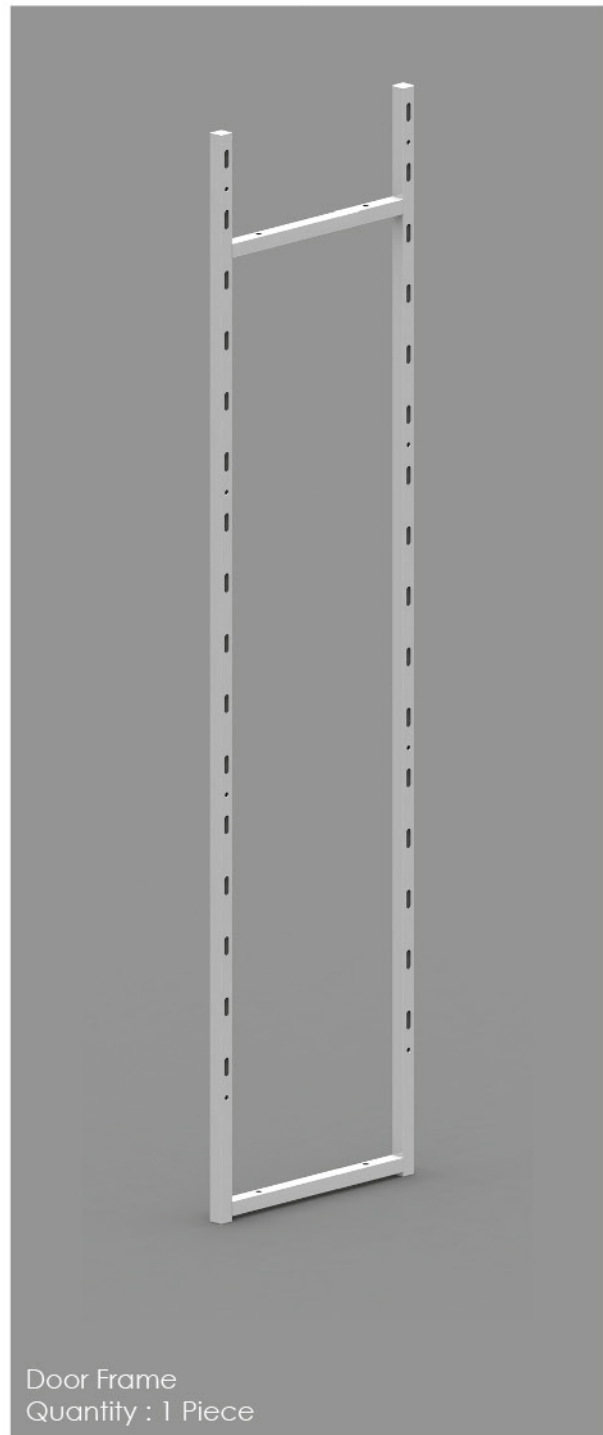
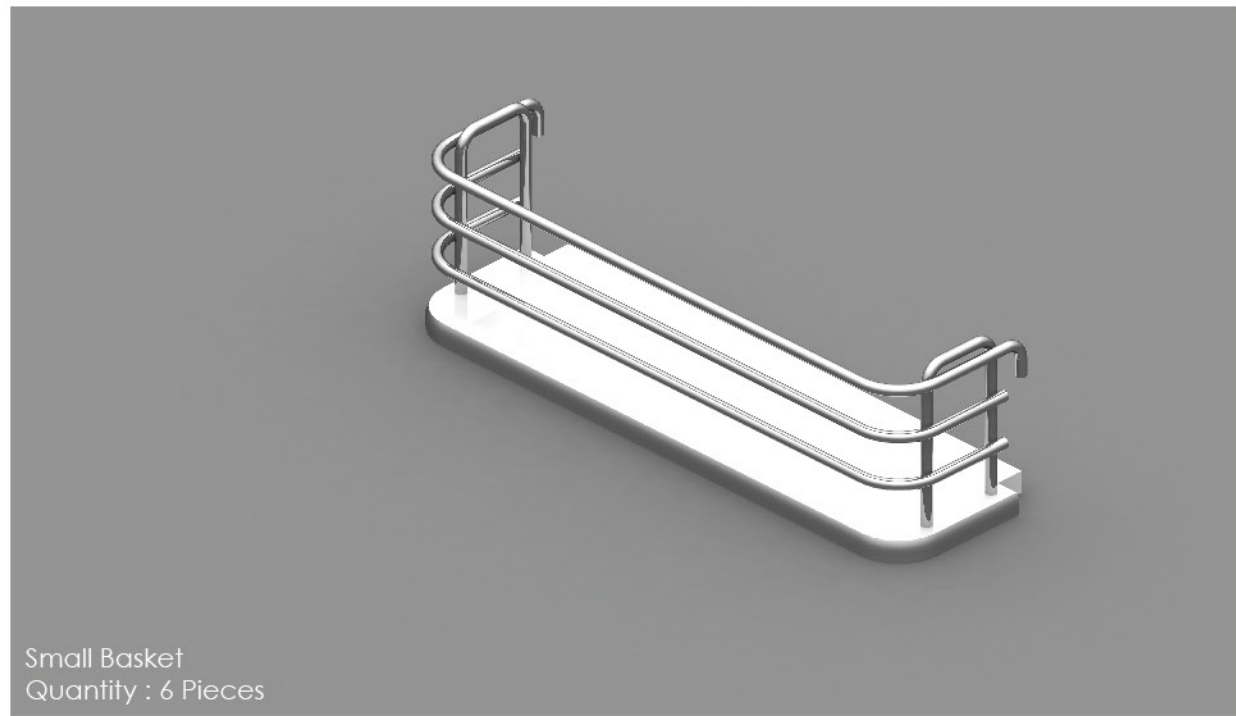


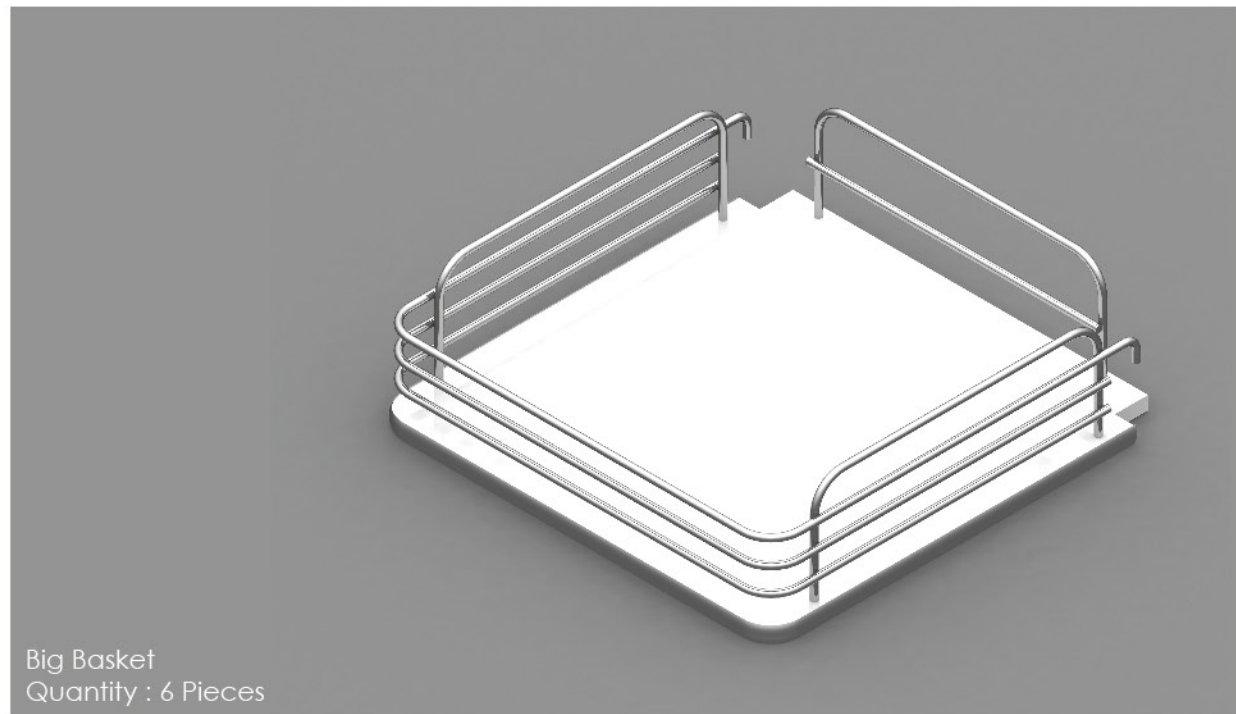
Big Frame  
Quantity : 1 Piece



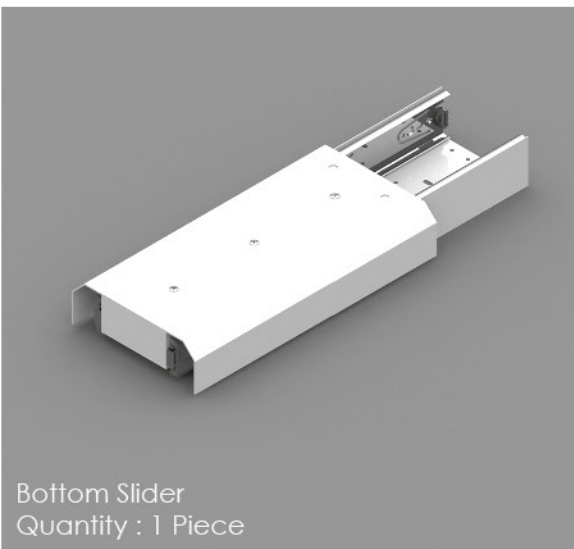
Door Frame  
Quantity : 1 Piece



Small Basket  
Quantity : 6 Pieces



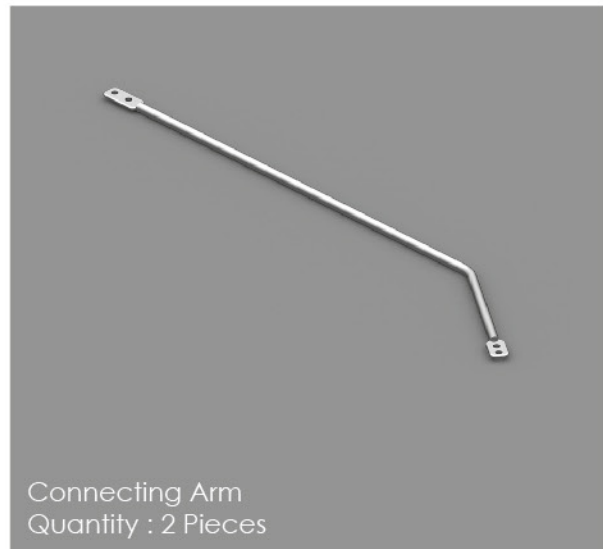
Big Basket  
Quantity : 6 Pieces



Bottom Slider  
Quantity : 1 Piece



Top Slider  
Quantity : 1 Piece



Connecting Arm  
Quantity : 2 Pieces



Lock  
Quantity : 24 Pieces

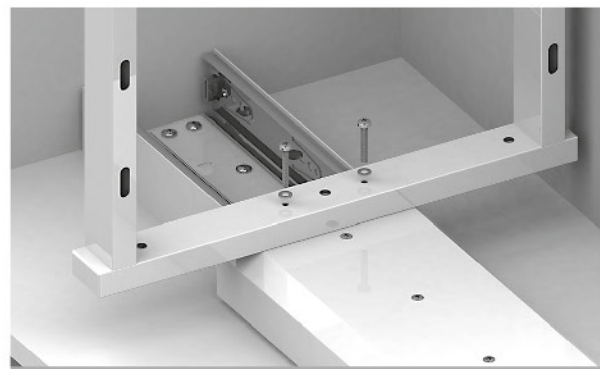
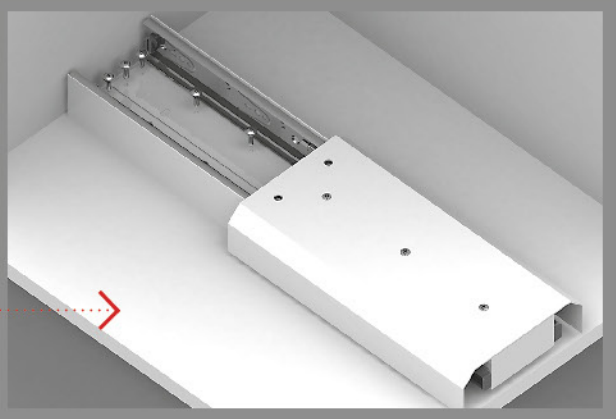
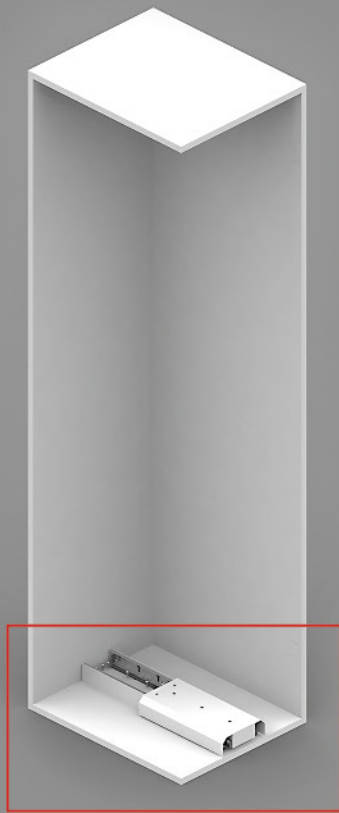
## Larder Unit

Installation Guide

Packing List

**Spitze**<sup>TM</sup>  
by **Everyday**

Packing List



Note: Place a Steel Washer first and then fix the Bolt as shown.

**Step 01** : Fix Bottom Slider with carcass using Bottom Template and Fitting Kit - 1.

**Step 03** : Fix the Big Frame with Bottom Slider using Fitting Kit - 1.



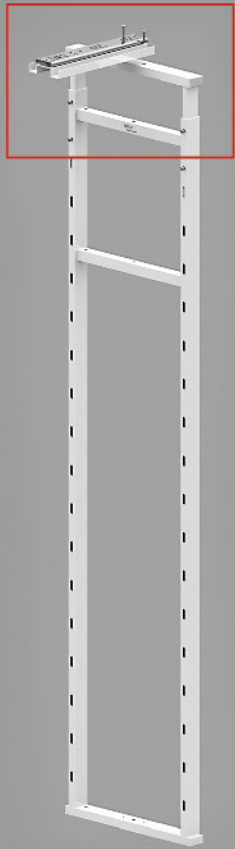
**Step 05** : Fix Door Frame with Door using Drawing and Fitting Kit - 3.



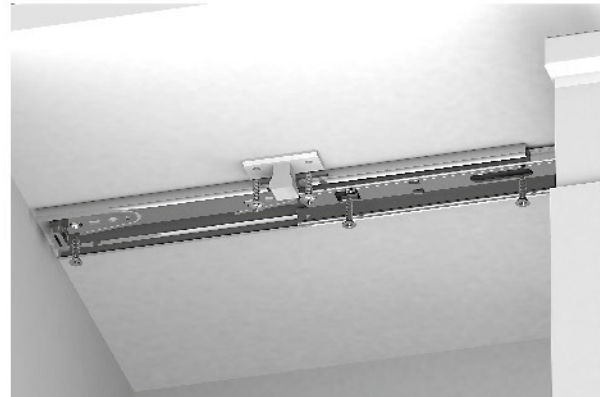
**Step 07** : Put all the Big Baskets in the Big Frame.



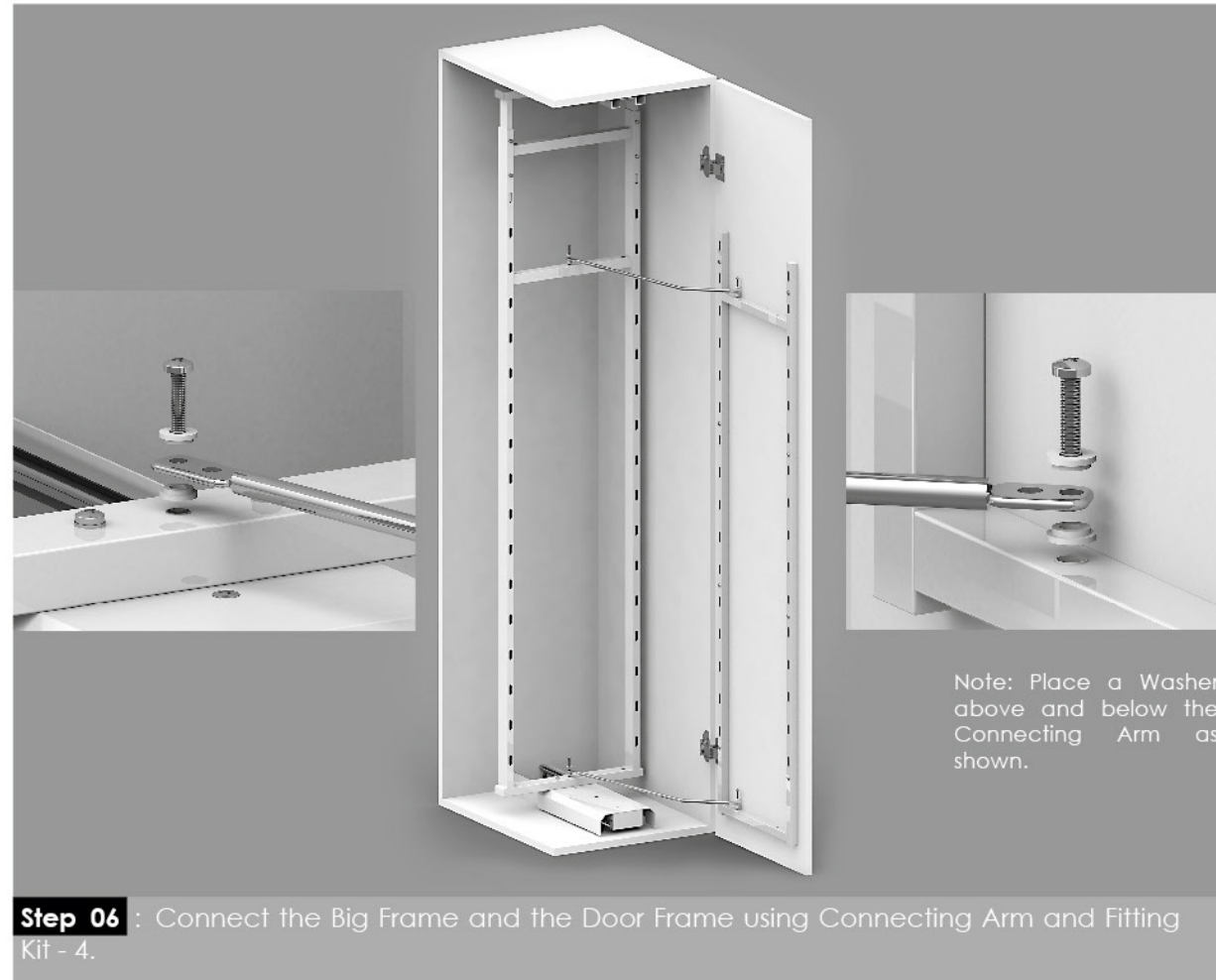
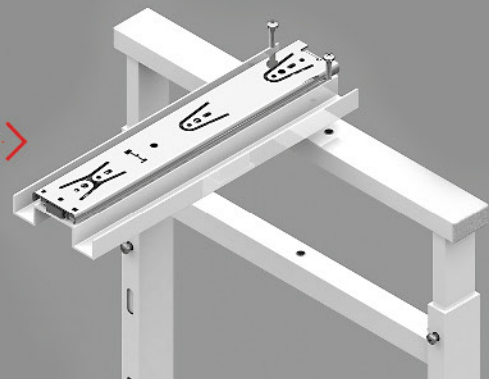
**Step 08** : Put all the Small Baskets in the Door Frame.



**Step 02** : Fix Top Slider with Big Frame using Fitting Kit - 1.

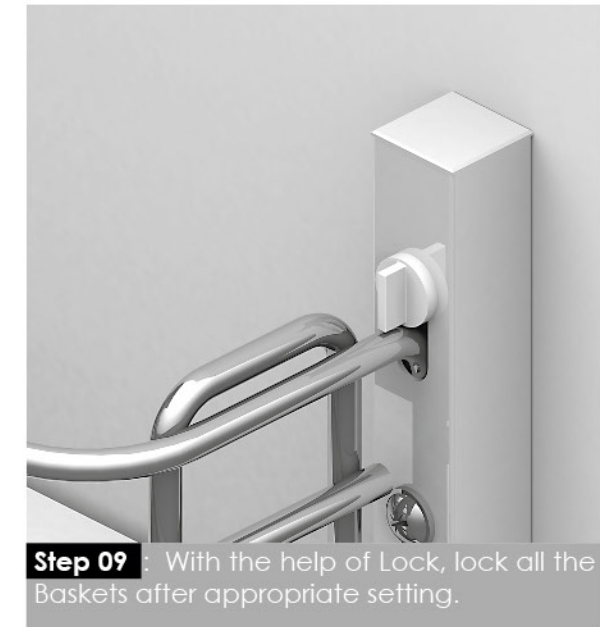


**Step 04** : Fix the Top Slider and Soft-Close Lock with carcass using Top Template and Fitting Kit - 2.



**Step 06** : Connect the Big Frame and the Door Frame using Connecting Arm and Fitting Kit - 4.

Note: Place a Washer above and below the Connecting Arm as shown.



**Step 09** : With the help of Lock, lock all the Baskets after appropriate setting.

Installation Complete !!  
ENJOY YOUR LARDER !!