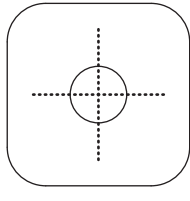


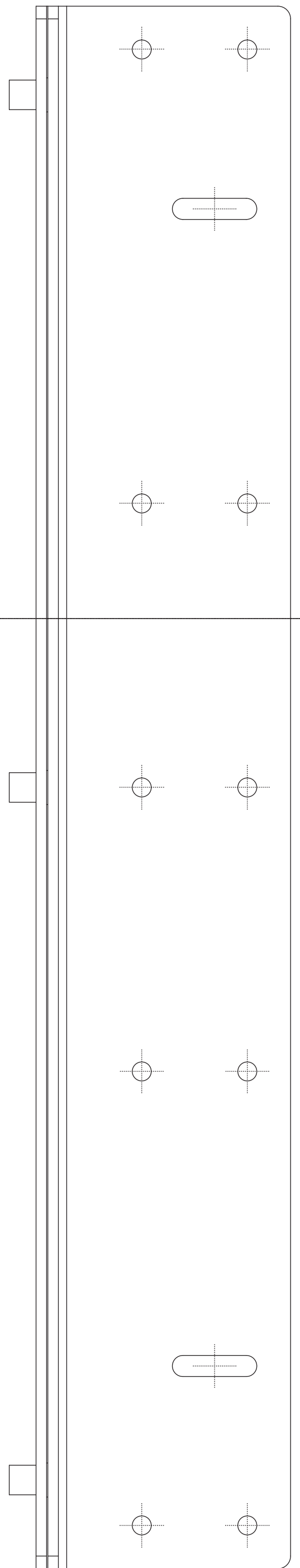
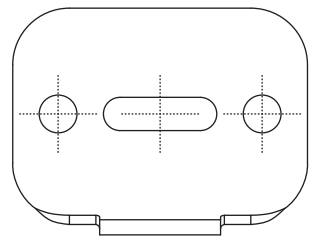
**\* Important Note \***  
Draw Horizontal & Vertical centre line of Door  
and match it with the center line of  
TEMPLATE.



**MAGIC CORNER  
DOOR TEMPLATE - LEFT OPENING  
Item Code: MI SMC**



**Marking point for fixing screw.**

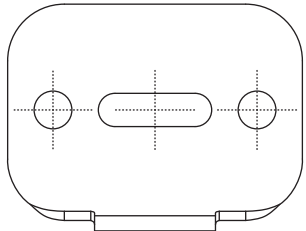


**\* Important Note \***  
Draw Horizontal & Vertical centre line of Door  
and match it with the center line of  
TEMPLATE.



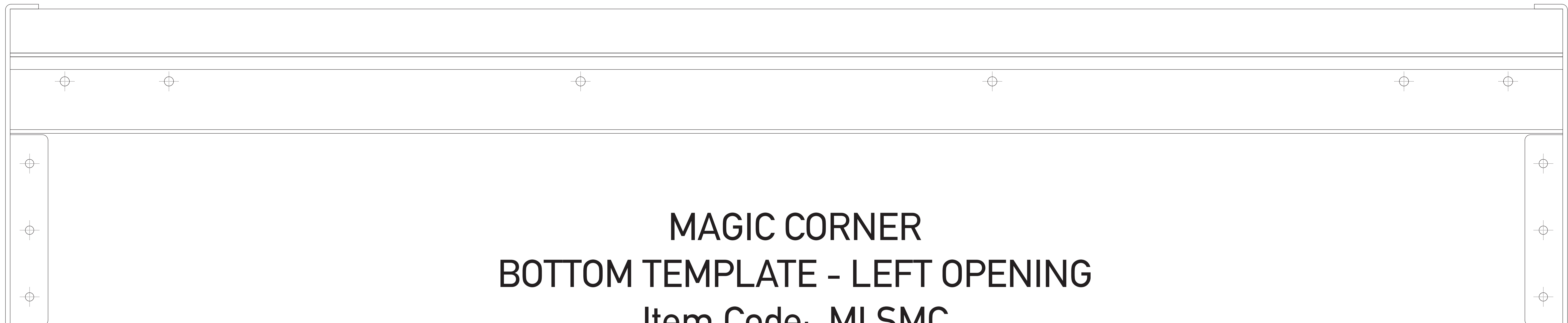
**MAGIC CORNER  
DOOR TEMPLATE - RIGHT OPENING**  
Item Code: MI SMC

 **Marking point for fixing screw.**

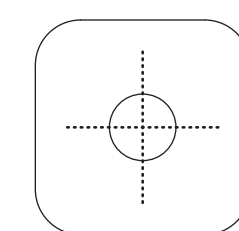


# MAGIC CORNER BOTTOM TEMPLATE - LEFT OPENING

Item Code: MI SMC

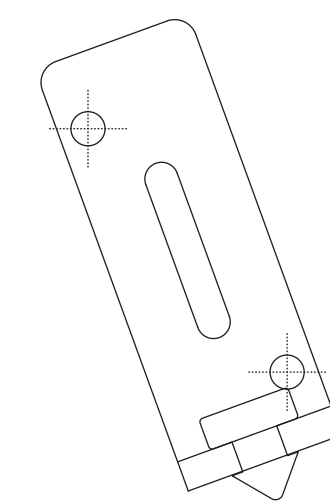
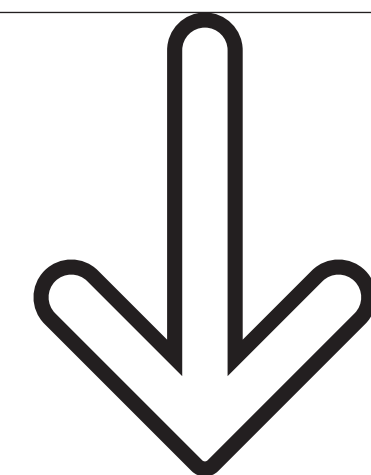


**\*VERY Important Instruction\***  
Match this arrow with the **INSIDE EDGE**  
of carcass for screw fixing.



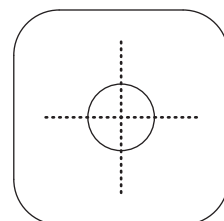
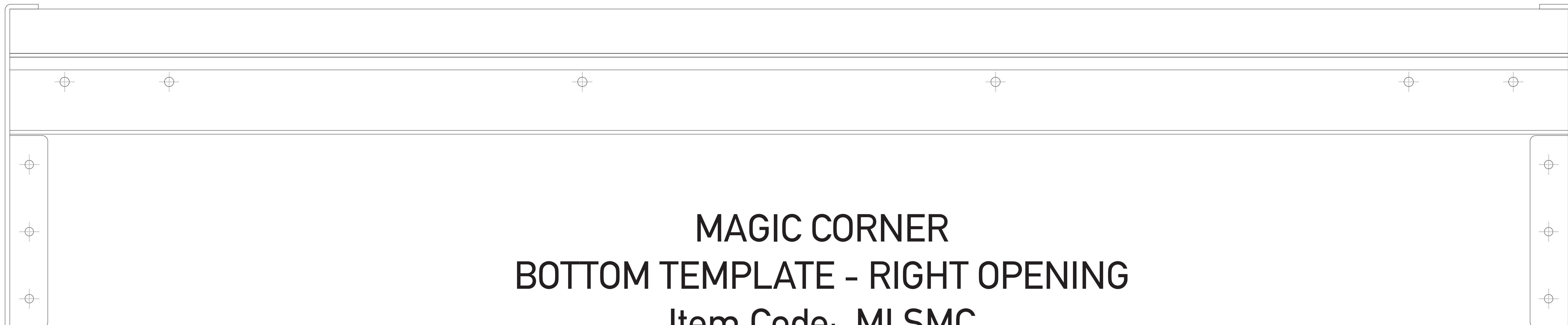
Marking point for fixing screw.

\* Match the front edge of carcass with  
the edge of Template, shown by the  
ARROW.



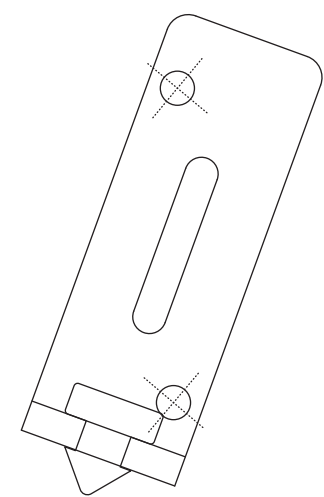
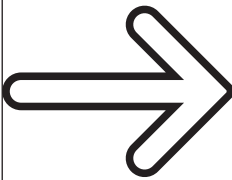
# MAGIC CORNER BOTTOM TEMPLATE - RIGHT OPENING

Item Code: MI SMC

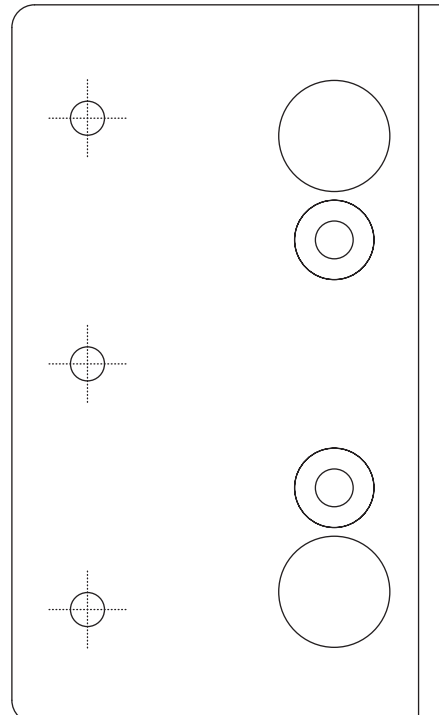
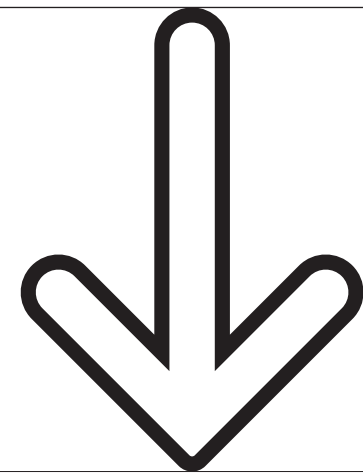


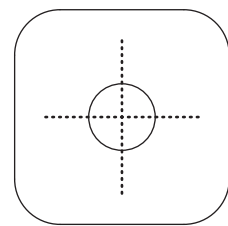
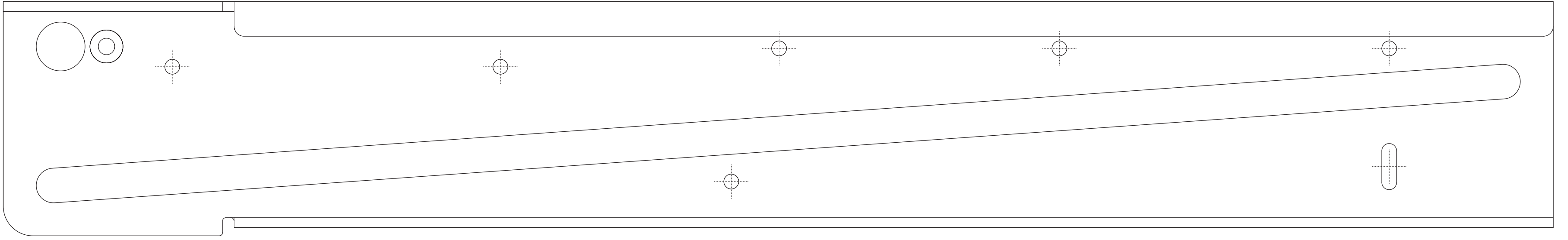
Marking point for fixing screw.

**\*VERY Important Instruction\***  
Match this arrow with the **INSIDE EDGE**  
of carcass for screw fixing.

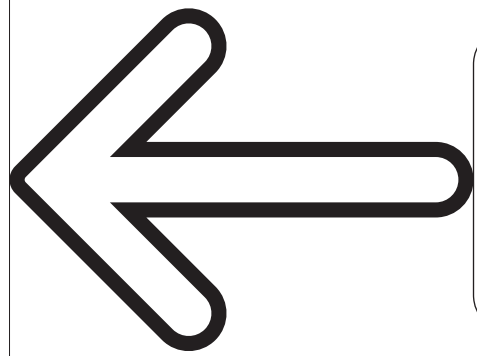


**\* Match the front edge of carcass with  
the edge of Template, shown by the  
ARROW.**





Marking point for fixing screw.



\* Match the front edge of carcass with the edge of Template, shown by the ARROW.

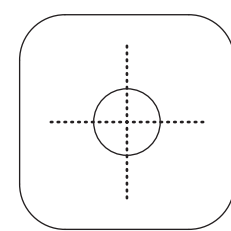
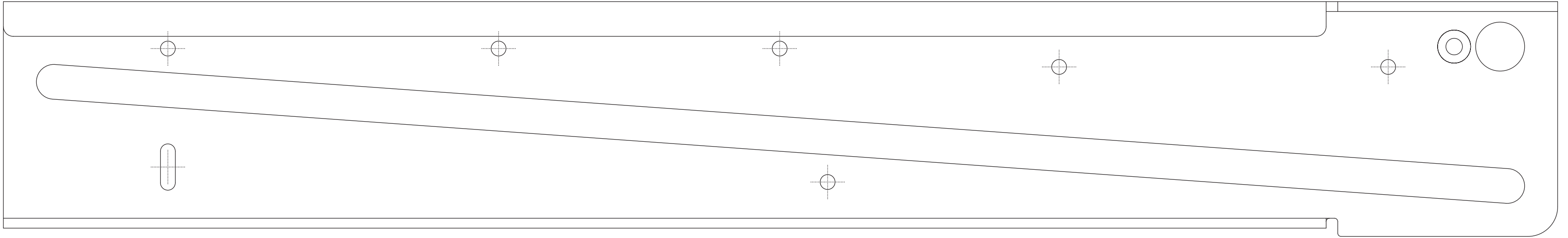


**MAGIC CORNER**  
**SIDE TEMPLATE - LEFT OPENING**  
Item Code: MI SMC

\* VERY Important Instruction \*

Match this arrow with the **BOTTOM EDGE** of carcass for screw fixing.

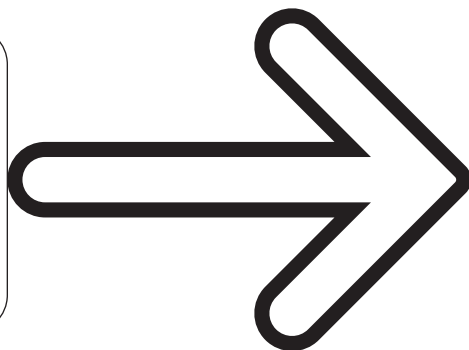




Marking point for fixing screw.



\* Match the front edge of carcass with the edge of Template, shown by the ARROW.



# MAGIC CORNER

## SIDE TEMPLATE - RIGHT OPENING

Item Code: MI SMC

\* VERY Important Instruction \*

Match this arrow with the **BOTTOM EDGE** of carcass for screw fixing.

