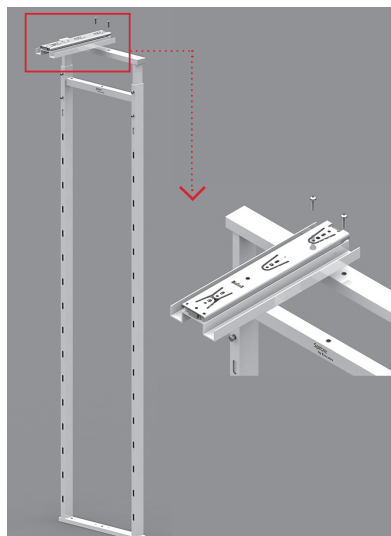
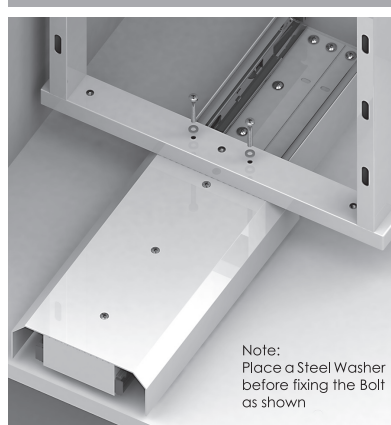




Step 01 : Fix Bottom Slider and Flange (Diameter 12 mm) with carcass using Bottom Template and Fitting Kit - 1.



Step 02 : Fix Top Slider with Sliding Frame using Fitting Kit - 1.

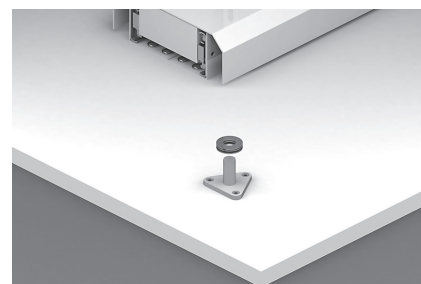


Step 03 : Fix the Sliding Frame with Bottom Slider using Fitting Kit - 1.

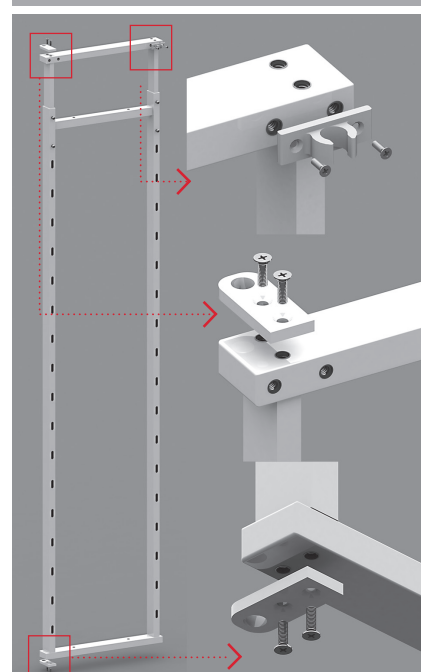
Note:
Place a Steel Washer before fixing the Bolt as shown



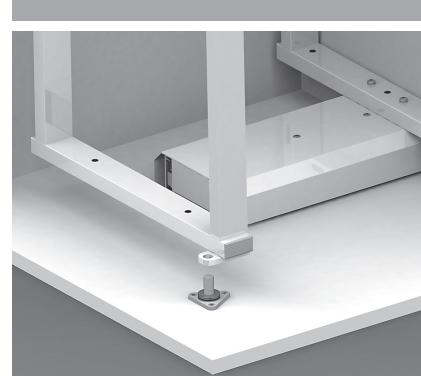
Step 04 : Fix Top Slider, Flange (Diameter 12 mm and 16 mm) and Soft-Close Lock with carcass using Top Template and Fitting Kit - 2.



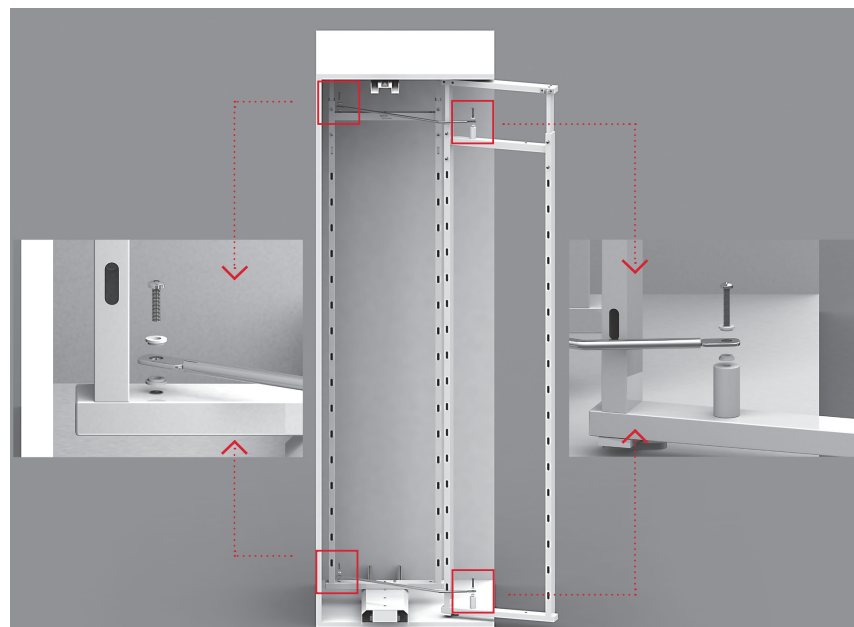
Step 05 : Place Thrust Bearing on the Flange as shown.



Step 06 : Fix Swivel Frame Fitting and Frame Lock with Swivel Frame using Fitting Kit - 3.



Step 07 : Place the Swivel Frame on the Thrust Bearing as shown.



Step 08 : With the help of Connecting Arm and Bush, connect the Sliding Frame with Swivel Frame using Fitting Kit - 4.



Step 09 : Fix Door Frame with Door using Drawing and Fitting Kit - 5.

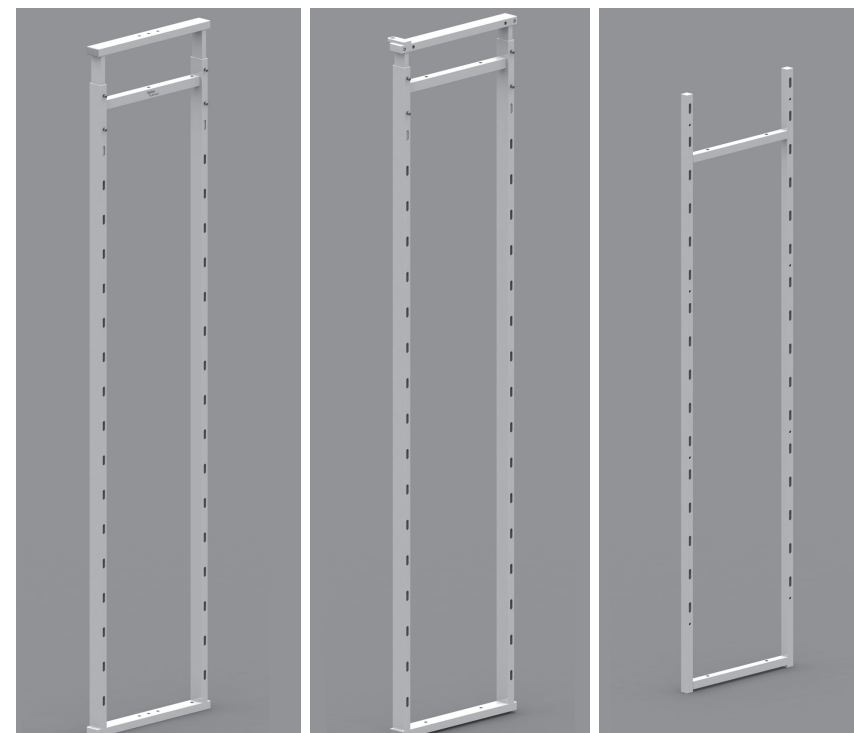


Step 10 : Put all the Baskets in the Frames.

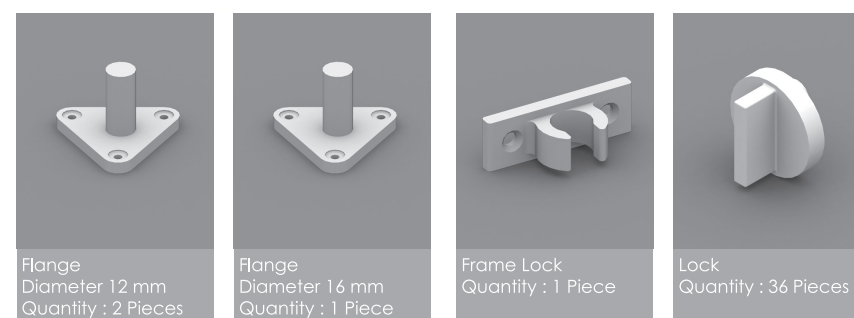


Step 11 : With the help of Lock, lock all the Baskets after appropriate adjustments.

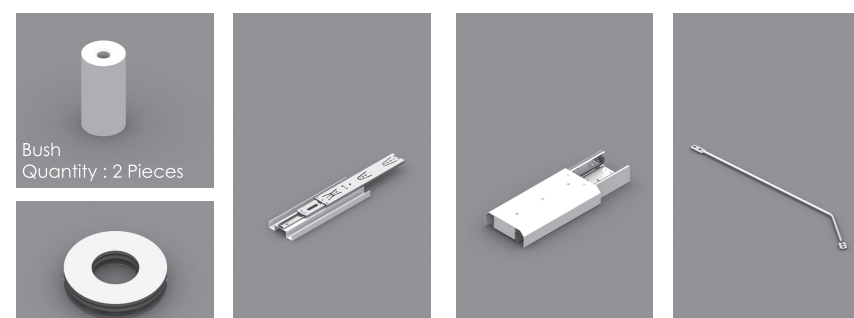
Installation Complete !!
ENJOY YOUR PANTRY !!



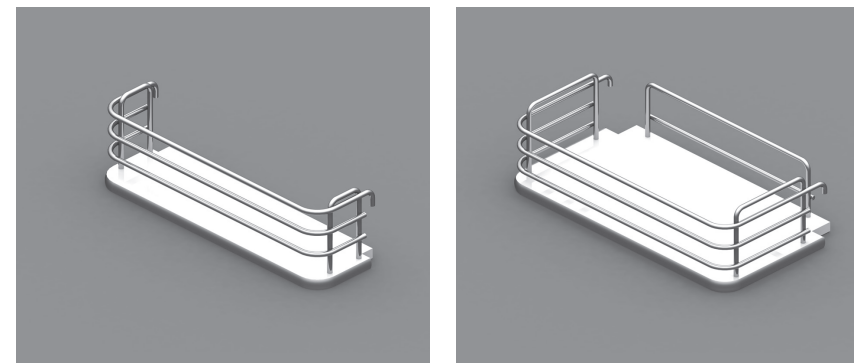
Sliding Frame Quantity : 1 Piece
Swivel Frame Quantity : 1 Piece
Door Frame Quantity : 1 Piece



Flange Diameter 12 mm Quantity : 2 Pieces
Flange Diameter 16 mm Quantity : 1 Piece
Frame Lock Quantity : 1 Piece
Lock Quantity : 36 Pieces



Bush Quantity : 2 Pieces
Thrust Bearing Quantity : 1 Piece
Top Slider Quantity : 1 Piece
Bottom Slider Quantity : 1 Piece
Connecting Arm Quantity : 2 Pieces



Small Basket Quantity : 6 Pieces
Big Basket Quantity : 12 Pieces

Pantry Unit

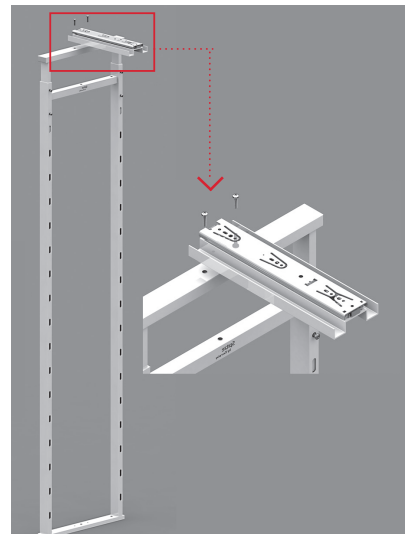
Installation Guide

Packing List

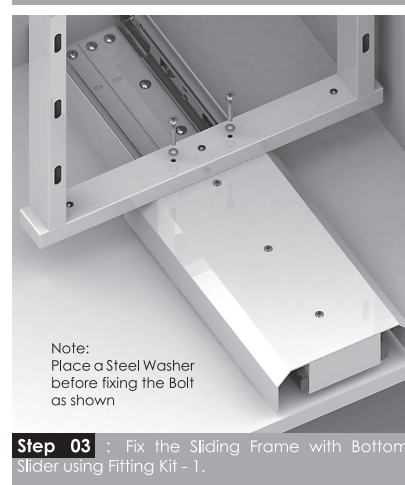




Step 01 : Fix Bottom Slider and Flange (Diameter 12 mm) with carcass using Bottom Template and Fitting Kit - 1.



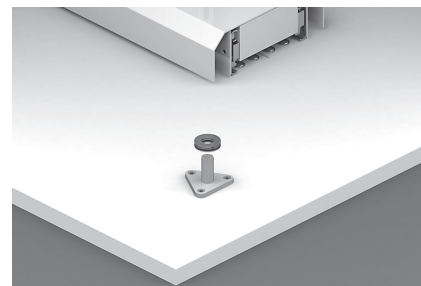
Step 02 : Fix Top Slider with Sliding Frame using Fitting Kit - 1.



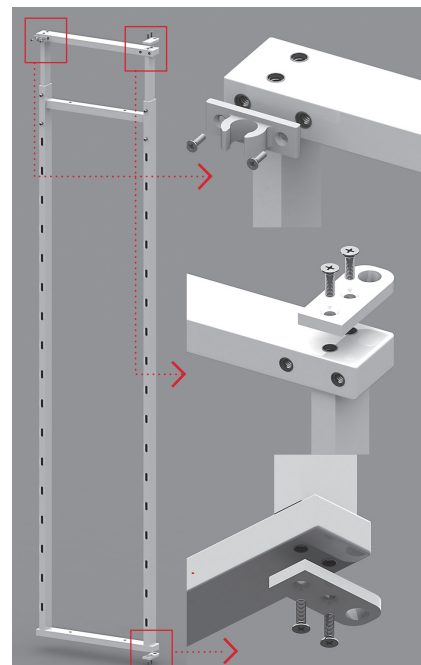
Step 03 : Fix the Sliding Frame with Bottom Slider using Fitting Kit - 1.



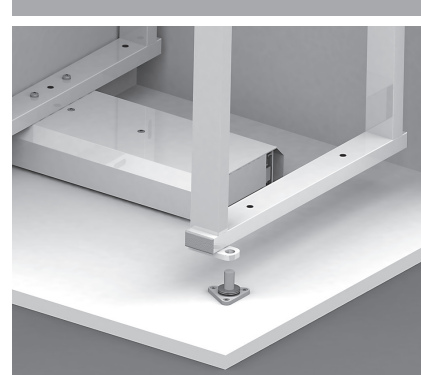
Step 04 : Fix Top Slider, Flange (Diameter 12 mm and 16 mm) and Soft-Close Lock with carcass using Top Template and Fitting Kit - 2.



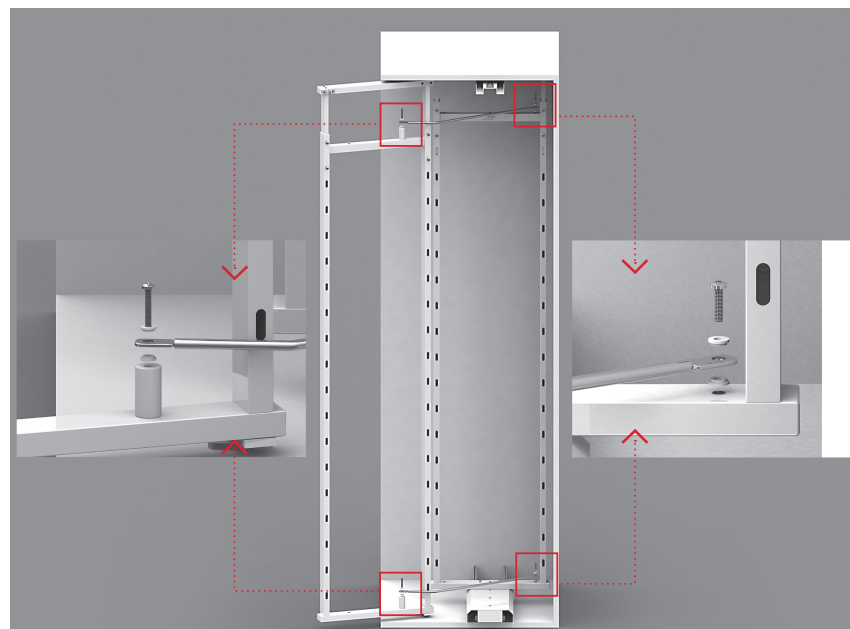
Step 05 : Place Thrust Bearing on the Flange as shown.



Step 06 : Fix Swivel Frame Fitting and Frame Lock with Swivel Frame using Fitting Kit - 3.



Step 07 : Place the Swivel Frame on the Thrust Bearing as shown.



Step 08 : With the help of Connecting Arm and Bush, connect the Sliding Frame with Swivel Frame using Fitting Kit - 4.



Step 09 : Fix Door Frame with Door using Drawing and Fitting Kit - 5.



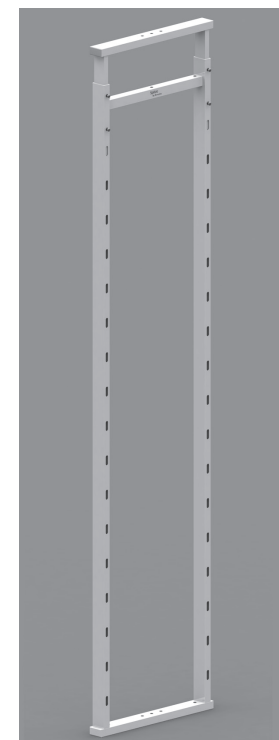
Step 10 : Put all the Baskets in the Frames.



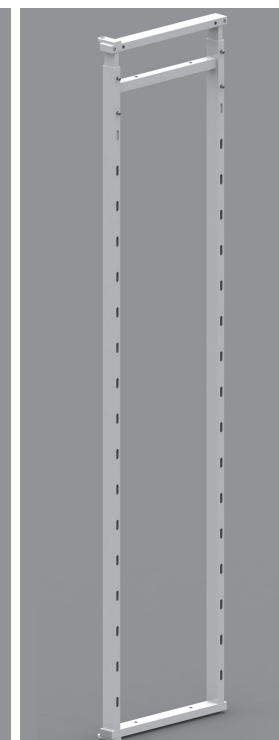
Step 11 : With the help of Lock, lock all the Baskets after appropriate adjustments.



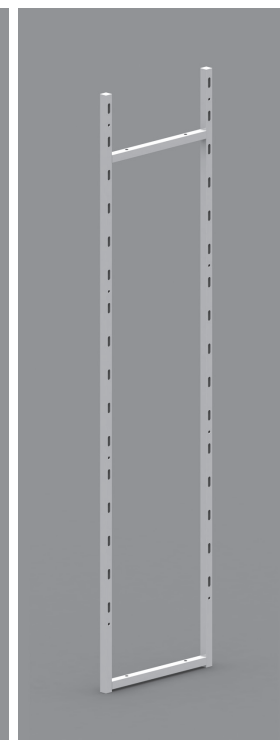
Installation Complete !!
ENJOY YOUR PANTRY !!



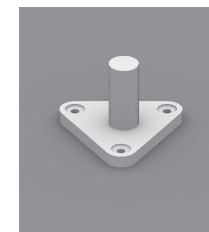
Sliding Frame
Quantity : 1 Piece



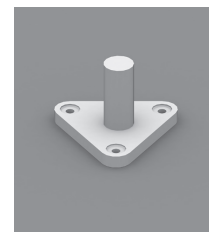
Swivel Frame
Quantity : 1 Piece



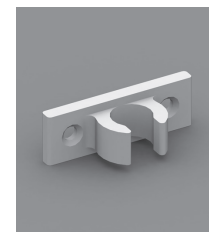
Door Frame
Quantity : 1 Piece



Flange
Diameter 12 mm
Quantity : 2 Pieces



Flange
Diameter 16 mm
Quantity : 1 Piece



Frame Lock
Quantity : 1 Piece



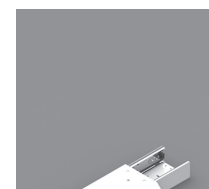
Lock
Quantity : 36 Pieces



Bush
Quantity : 2 Pieces



Top Slider
Quantity : 1 Piece



Bottom Slider
Quantity : 1 Piece



Connecting Arm
Quantity : 2 Pieces



Thrust Bearing
Quantity : 1 Piece



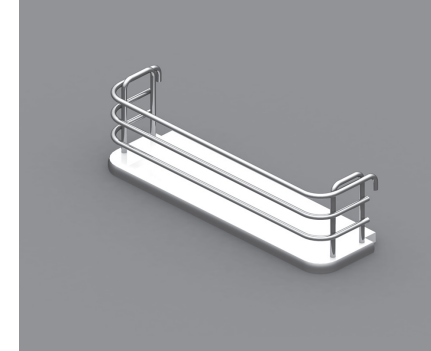
Small Basket
Quantity : 6 Pieces



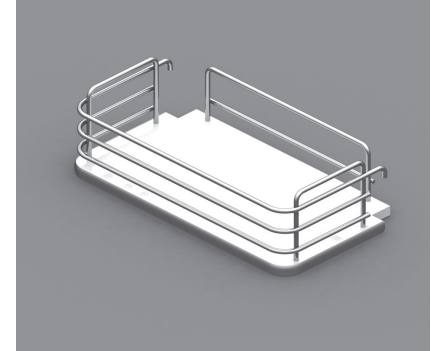
Big Basket
Quantity : 12 Pieces

Small Basket
Quantity : 6 Pieces

Big Basket
Quantity : 12 Pieces



Small Basket
Quantity : 6 Pieces



Big Basket
Quantity : 12 Pieces

Pantry Unit

Installation Guide

Packing List

